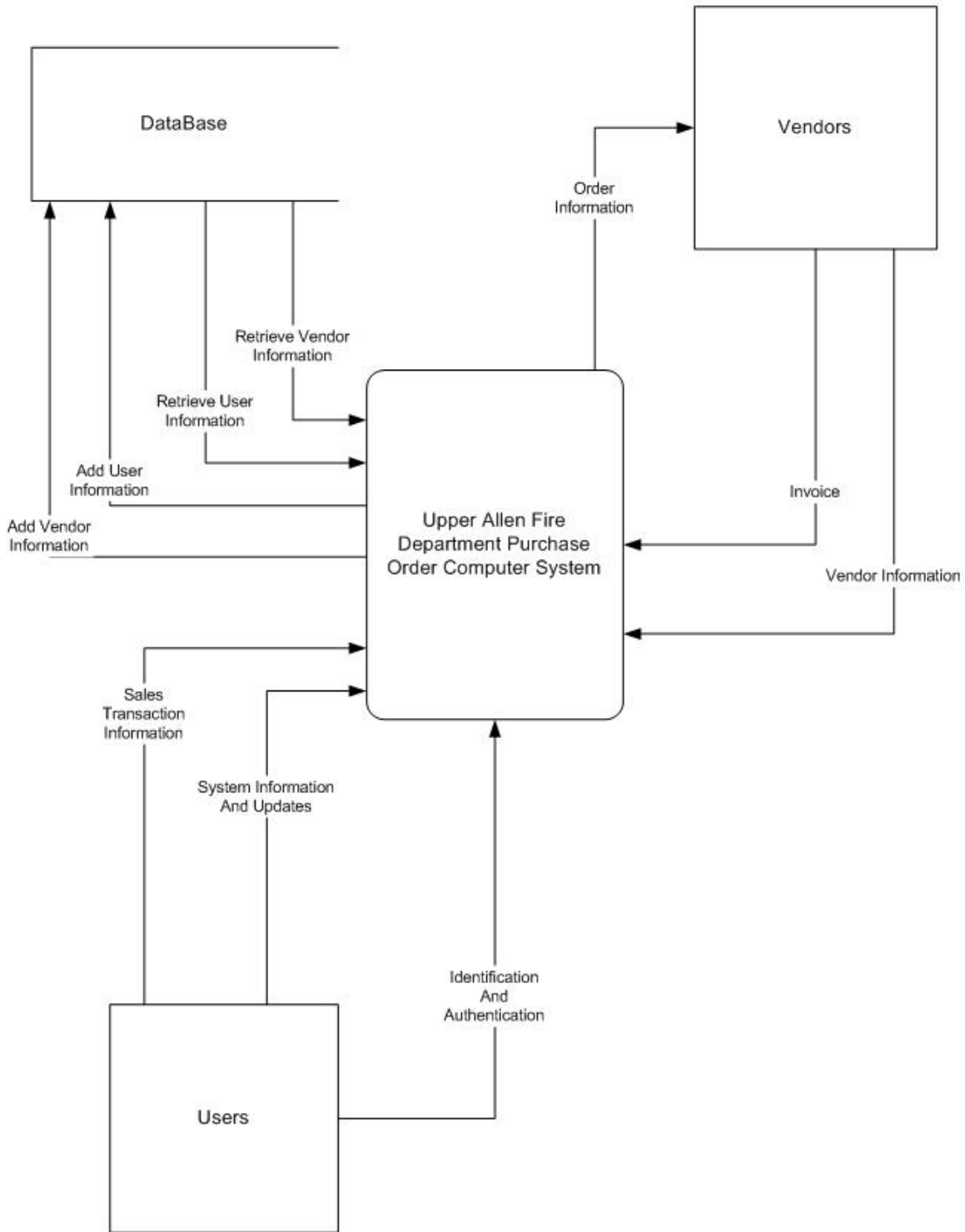
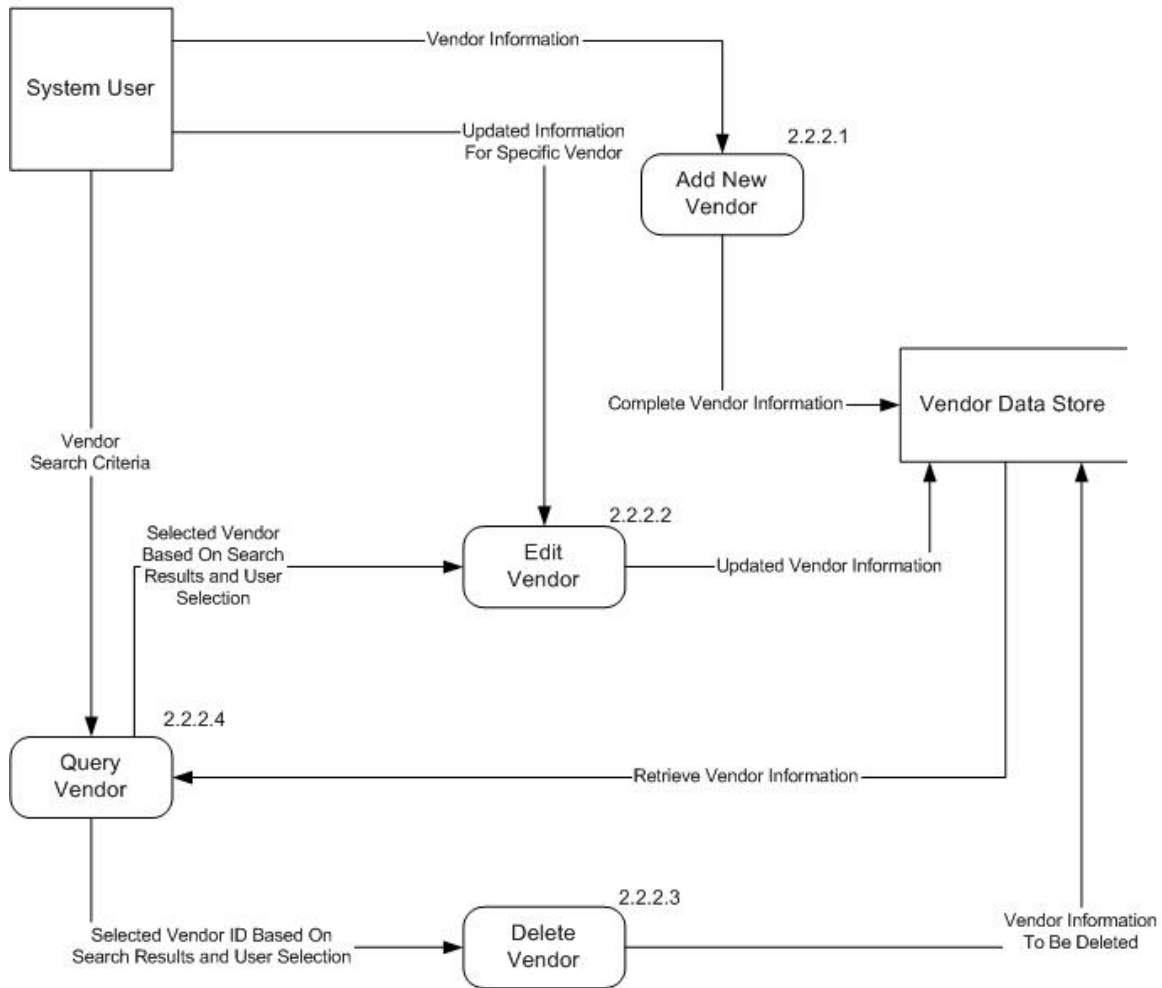


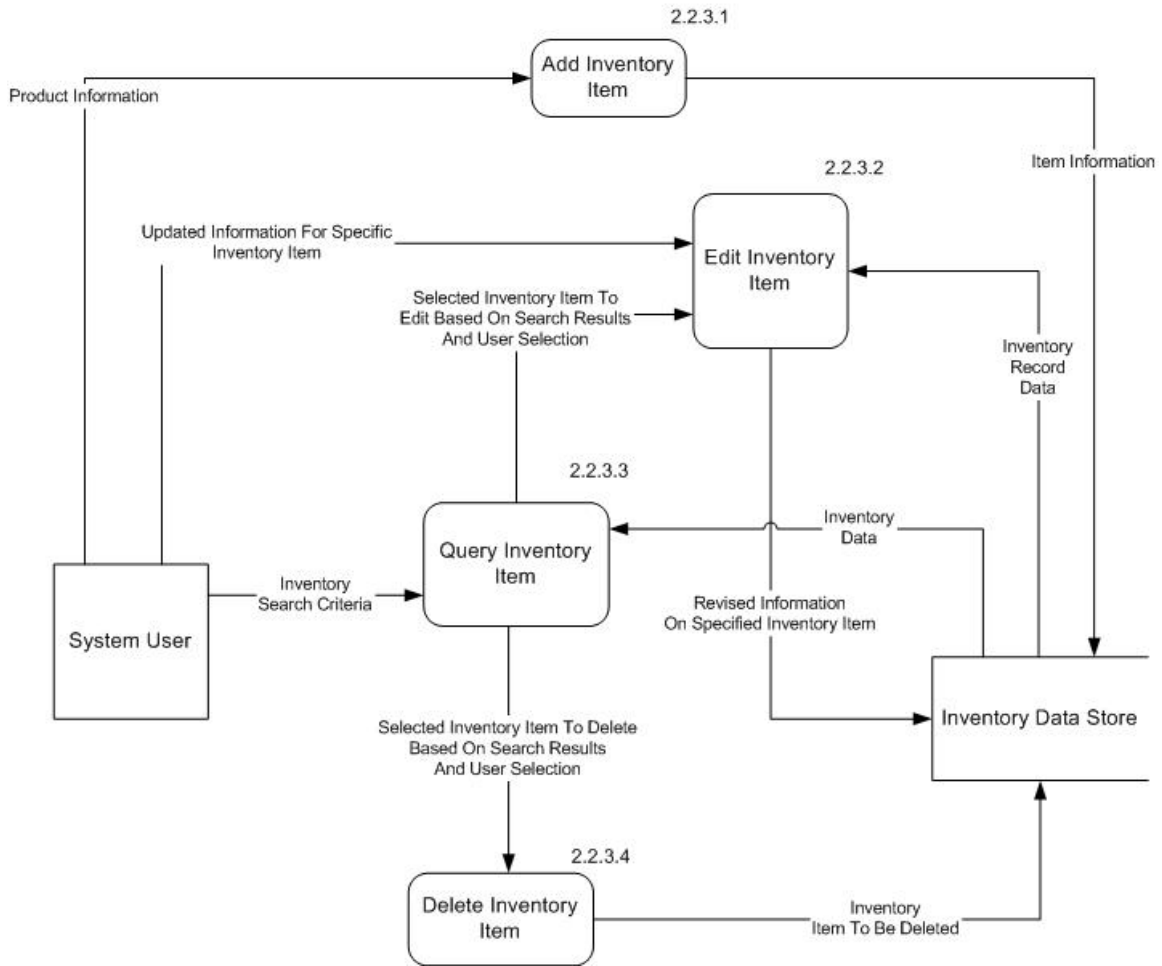
High Level Process Model



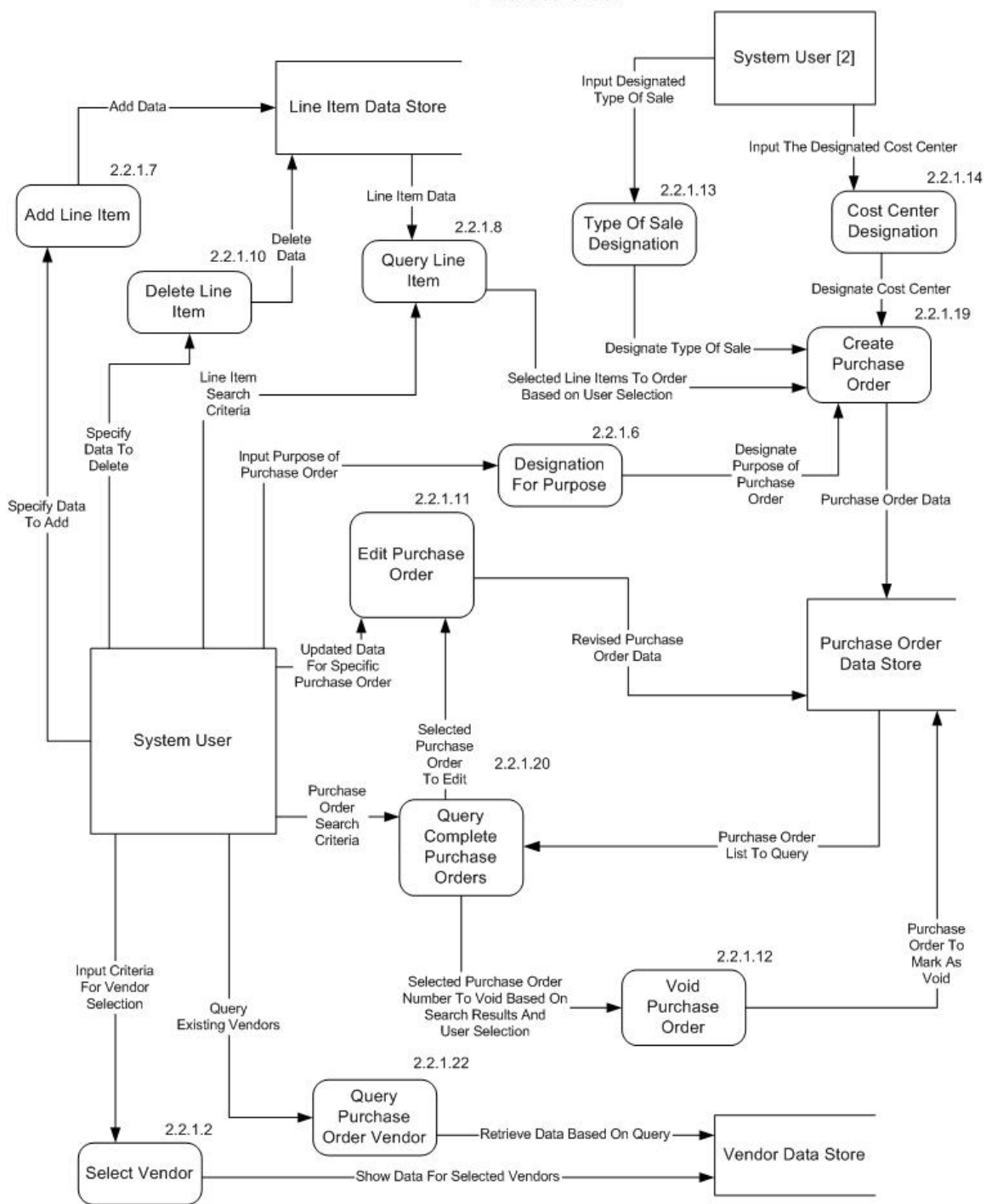
Vendor



Inventory



Purchase Order



Purchase Order (cont.)

